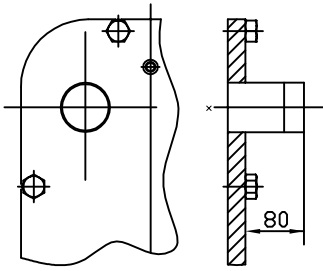
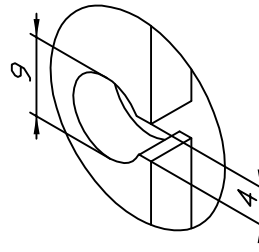


CONNECTIONS:

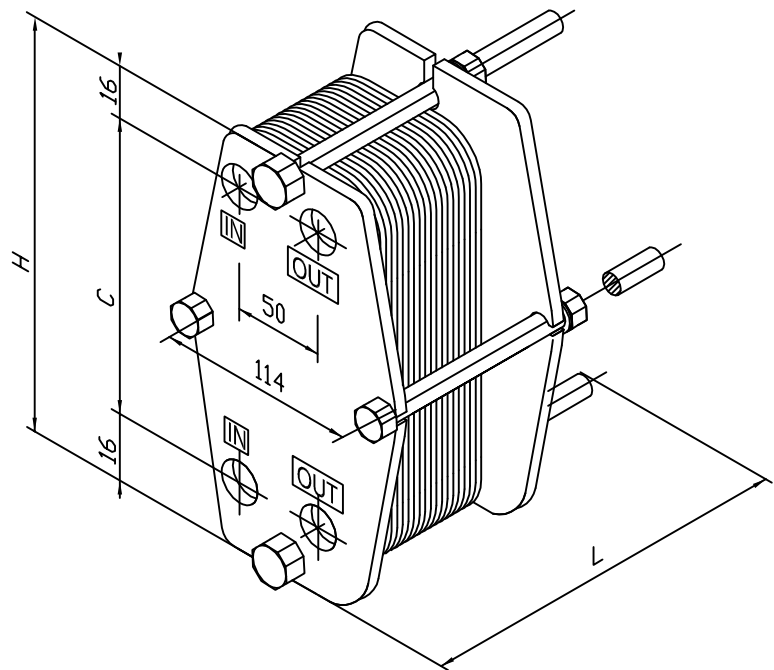


THREADED PIPE

MOUNTING



FRAME



SUBJECT TO CHANGE IN CONSTRUCTION CONDITIONS

FRAME SIZE	DIMENSION H	DIMENSION C
ORW 1	210	178



PLATE HEAT EXCHANGER GROUP:

ORW 1

DWG. FILE NO.:
001-IT

DRAWN:
UFK

DATE:
23.10.08

REV. NR.:
1