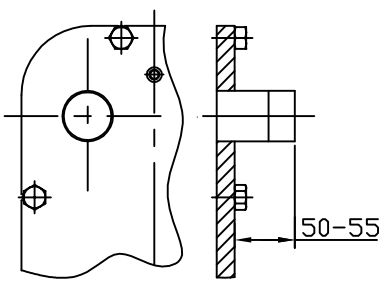
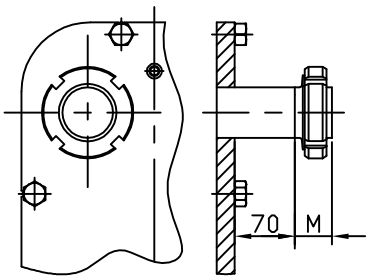


CONNECTIONS:

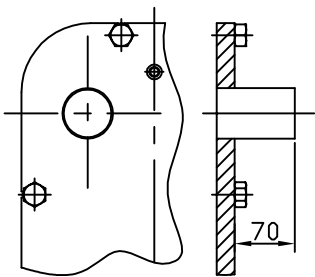


THREADED PIPE

MOUNTING

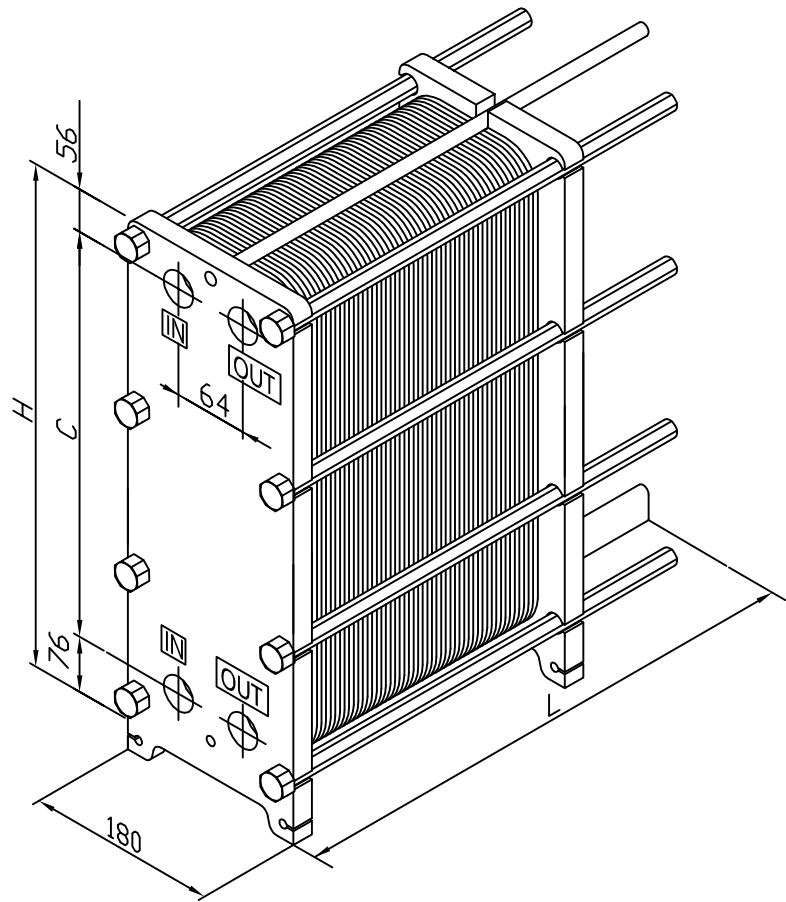


DAIRY UNION
M ACCORDING TO STANDARD



DAIRY PIPE

FRAME



SUBJECT TO CHANGE IN CONSTRUCTION CONDITIONS

FRAME SIZE

DIMENSION H

DIMENSION C

ORW2

500

368



PLATE HEAT EXCHANGER GROUP:

ORW2

DWG. FILE NO.:
ORW2

DRAWN:
UFK

DATE:
23.10.08

REV. NR. 1