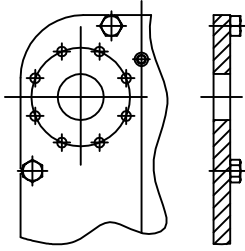
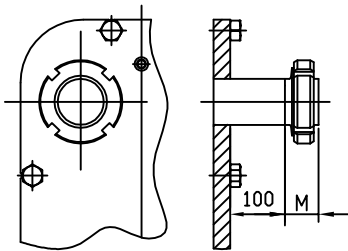
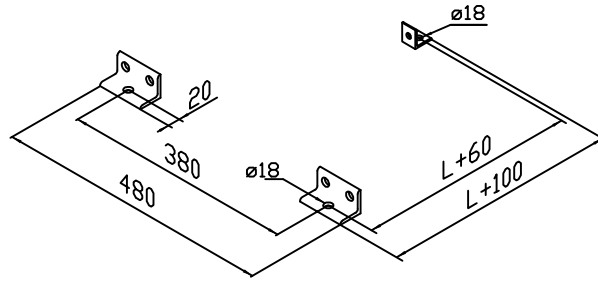


CONNECTIONS:

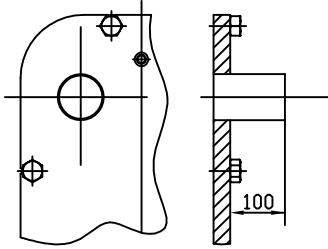


FLANGE

MOUNTING

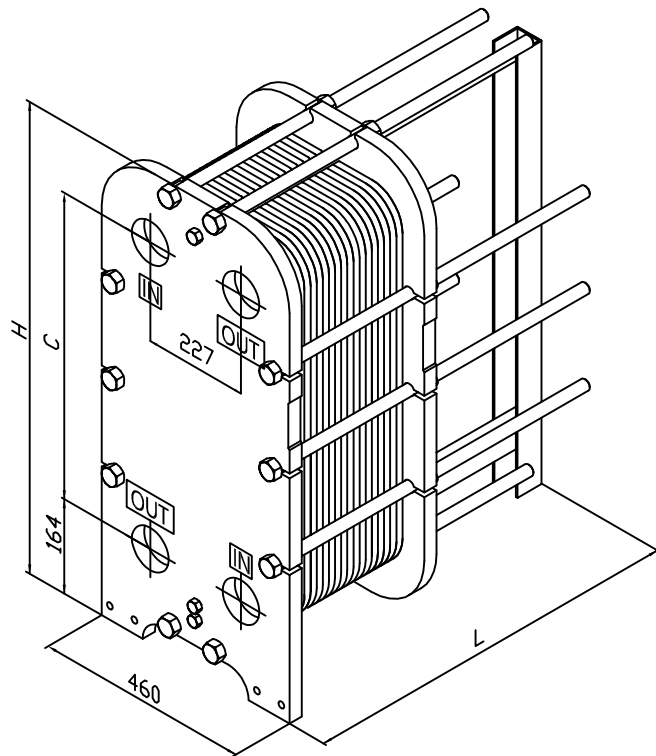


DAIRY UNION
M ACCORDING TO STANDARD



DAIRY PIPE

FRAME



SUBJECT TO CHANGE IN CONSTRUCTION CONDITIONS

FRAME SIZE	DIMENSION H	DIMENSION C
ORW 4	1006	727



PLATE HEAT EXCHANGER GROUP:

ORW 4

DWG. FILE NO: ORW4-IG	DRAWN: UFK	DATE: 23.10.08	REV. NR.: 1
--------------------------	---------------	-------------------	----------------