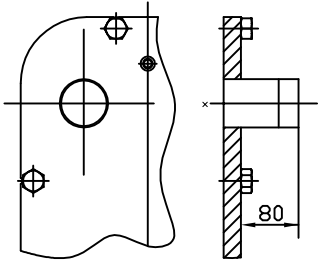
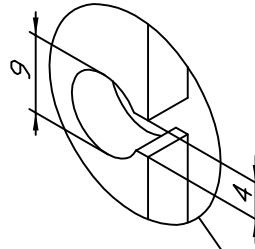


CONNECTIONS:

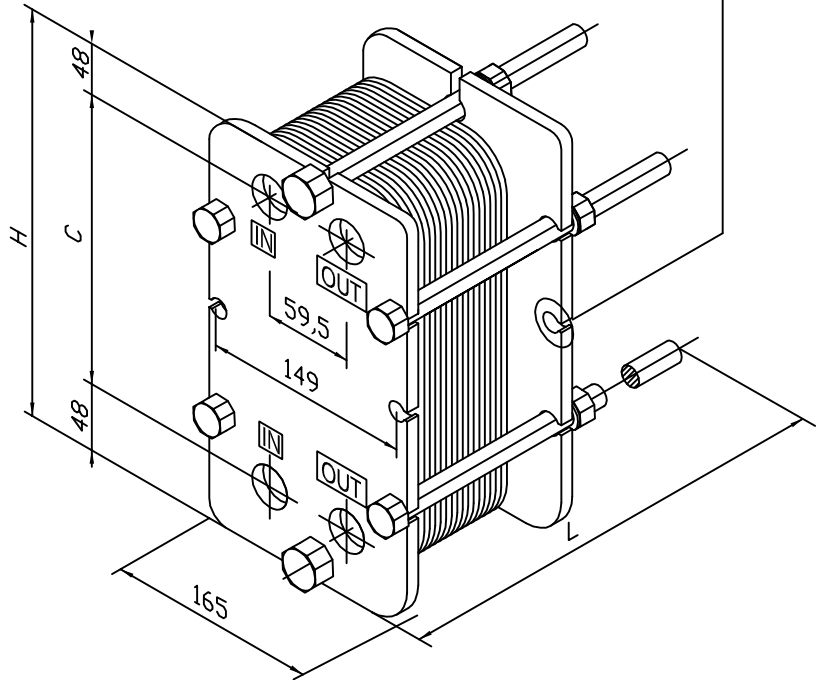


THREADED PIPE

MOUNTING



FRAME



SUBJECT TO CHANGE IN CONSTRUCTION CONDITIONS

FRAME SIZE	DIMENSION H	DIMENSION C
ORW 11	272	175



PLATE HEAT EXCHANGER GROUP:

**ORW 11**

DWG. FILE NO.:  
001-IT

DRAWN:  
UFK

DATE:  
23.10.08

REV. NR.:  
1