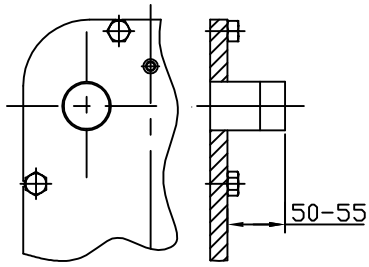
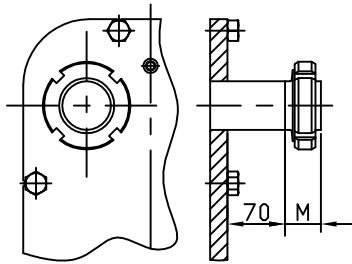


CONNECTIONS:

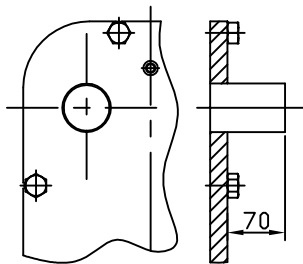


THREADED PIPE

MOUNTING

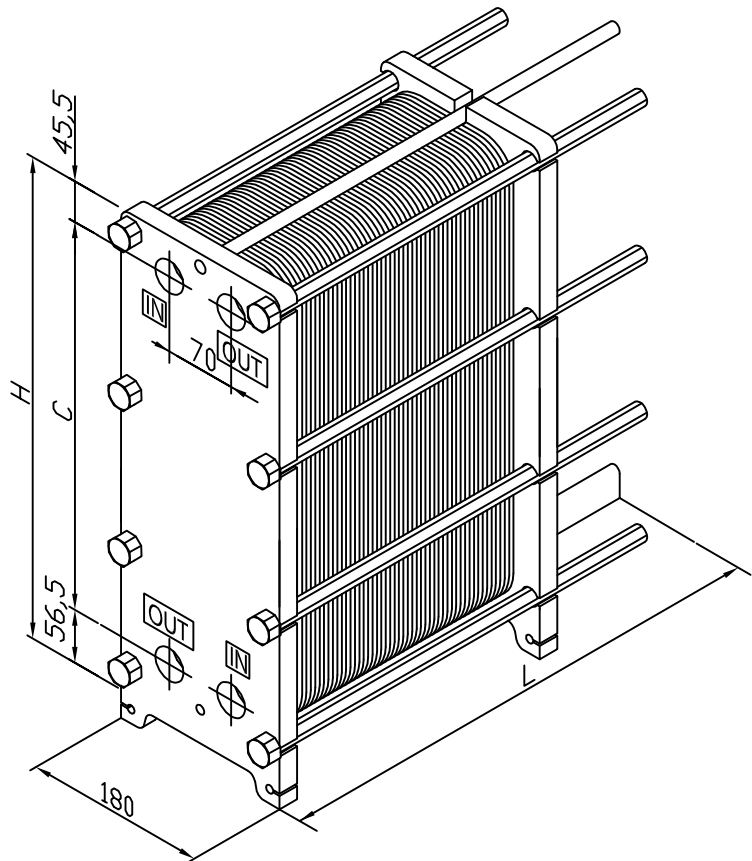


DAIRY UNION  
M ACCORDING TO STANDARD



DAIRY PIPE

FRAME



SUBJECT TO CHANGE IN CONSTRUCTION CONDITIONS

FRAME SIZE	DIMENSION H	DIMENSION C
ORW22	483	381
ORW24	758	656

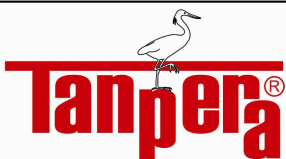


PLATE HEAT EXCHANGER GROUP:

ORW22 / ORW24

DWG. FILE NO.:  
ORW22-24-IG

DRAWN:  
UFK

DATE:  
23.10.08

REV. NR.:  
1