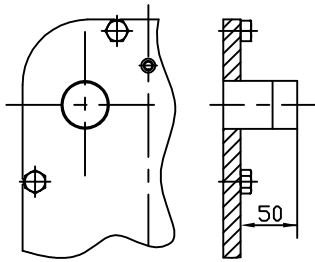
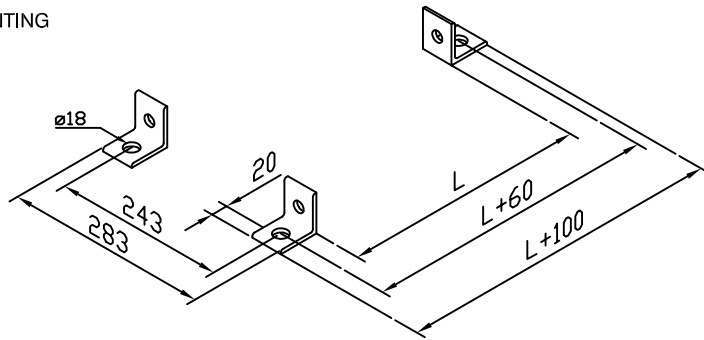


CONNECTIONS:

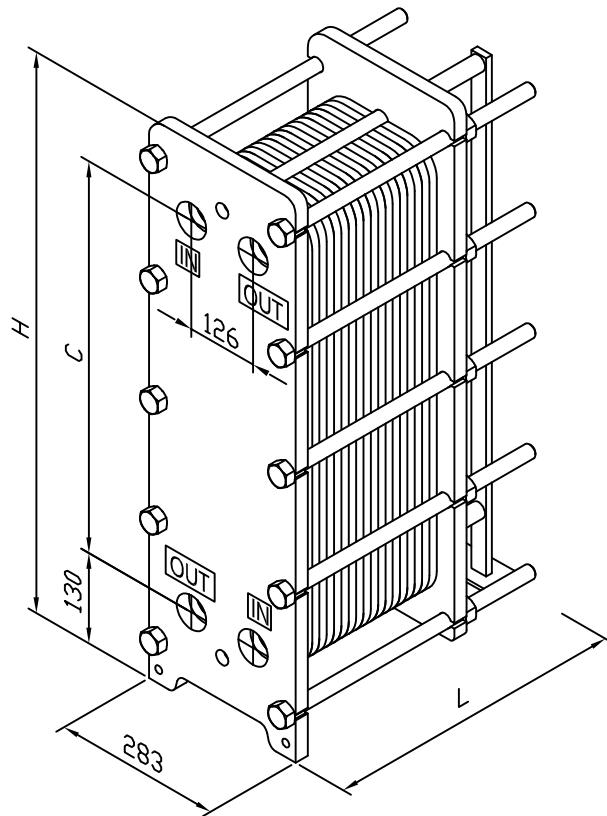


THREADED PIPE

MOUNTING



FRAME



SUBJECT TO CHANGE IN CONSTRUCTION CONDITIONS

FRAME SIZE	DIMENSION H	DIMENSION C
ORW 32	596	394
ORW 33	896	694
ORW 34	1096	894



PLATE HEAT EXCHANGER GROUP:

ORW 32 / ORW 33 / ORW 34

DWG. FILE NO.:  
ORW 32-ST

DRAWN:  
UFK

DATE:  
23.10.08

REV. NR.:  
1