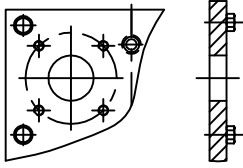
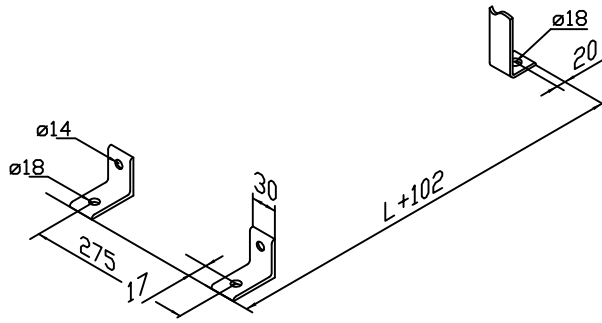


CONNECTIONS:

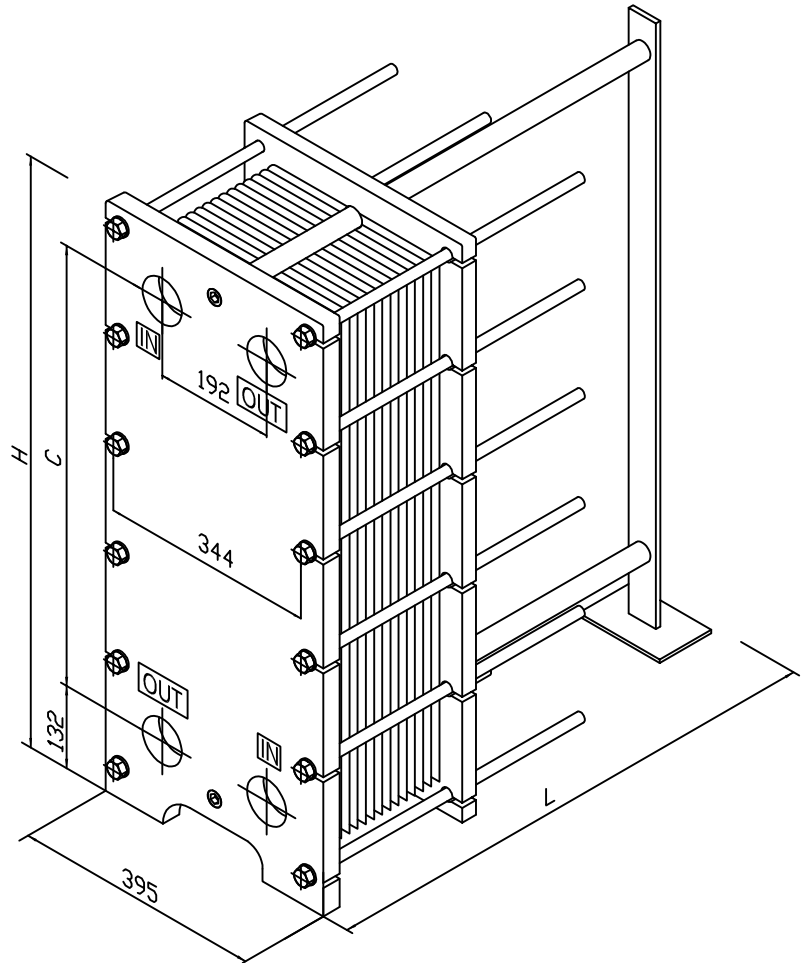


FLANGE DN65 PN16

MOUNTING



FRAME



SUBJECT TO CHANGE IN CONSTRUCTION CONDITIONS

FRAME SIZE

DIMENSION H

DIMENSION C

ORW 35

946

700



PLATE HEAT EXCHANGER GROUP:

ORW 35

DWG. FILE NO.:
ORW 35-IG-PN10

DRAWN:
UFK

DATE:
23.10.08

REV. NR.:
1