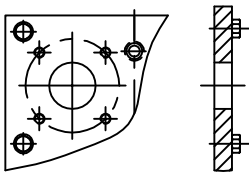
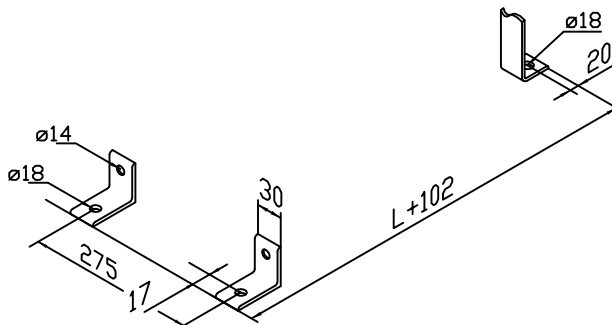


CONNECTIONS:

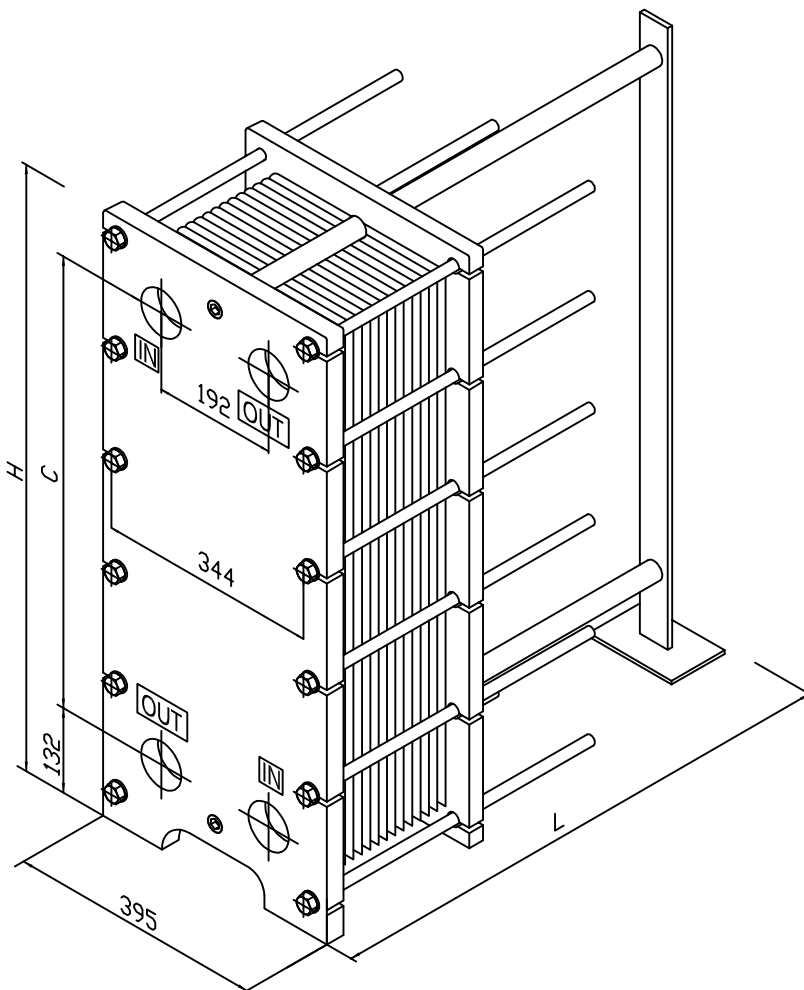


FLANGE DN65 PN16

MOUNTING



FRAME



SUBJECT TO CHANGE IN CONSTRUCTION CONDITIONS

FRAME SIZE	DIMENSION H	DIMENSION C
ORW 36	626	380
ORW 37	1296	1050



PLATE HEAT EXCHANGER GROUP:
ORW 36 / ORW 37

DWG. FILE NO.:
ORW 36-37

DRAWN:
U FK

DATE:
23.10.08

REV. NR.:
1