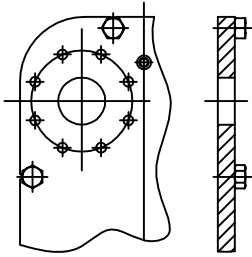
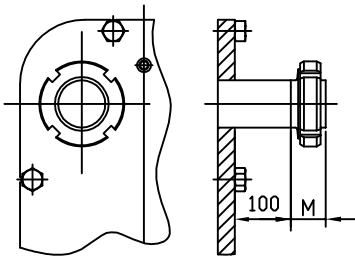
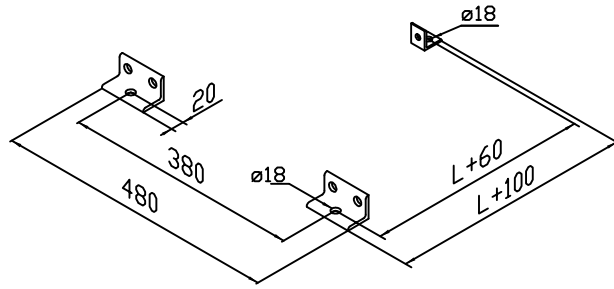


CONNECTIONS:

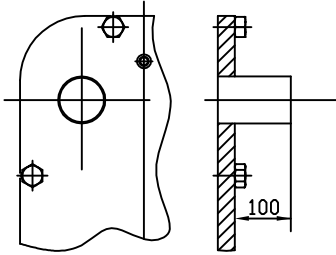


FLANGE

MOUNTING

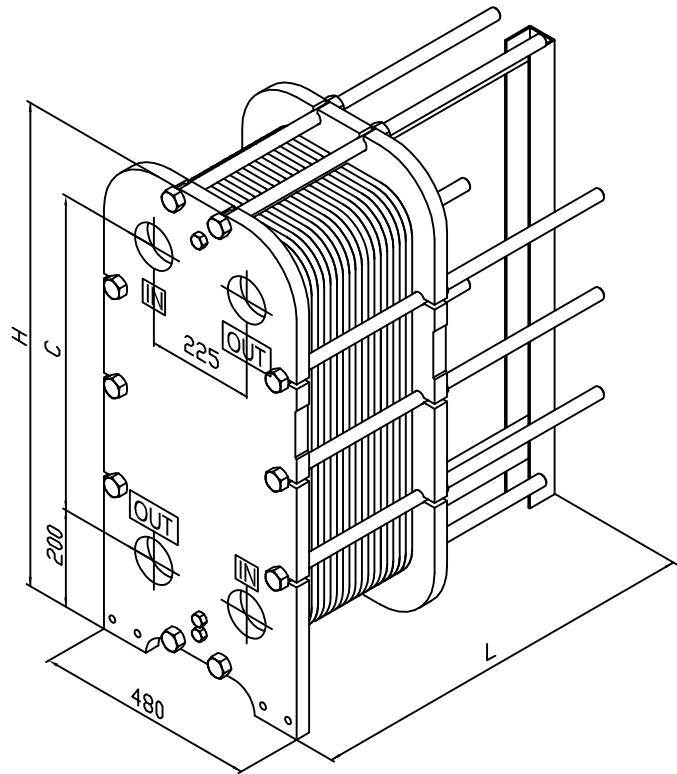


DAIRY UNION
M ACCORDING TO STANDARD



DAIRY PIPE

FRAME



SUBJECT TO CHANGE IN CONSTRUCTION CONDITIONS

FRAME SIZE	DIMENSION H	DIMENSION C
ORW 41 / ORW 42	1070	719
ORW 43	1715	1365
ORW 44	2120	1771

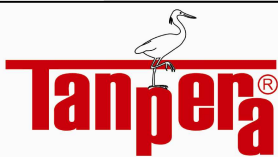


PLATE HEAT EXCHANGER GROUP:

ORW 41 / ORW 42 / ORW 43 / ORW 44

DWG. FILE NO.:
ORW41-ORW42-ORW43-ORW44-IG

DRAWN:
UFK

DATE:
23.10.08

REV. NR.:
1