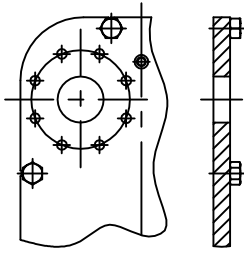
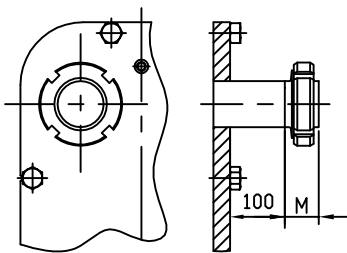
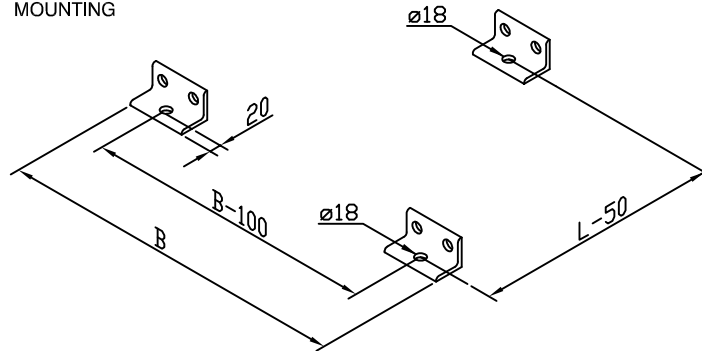


CONNECTIONS:

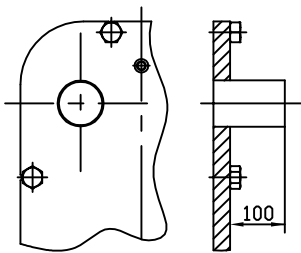


FLANGE

MOUNTING

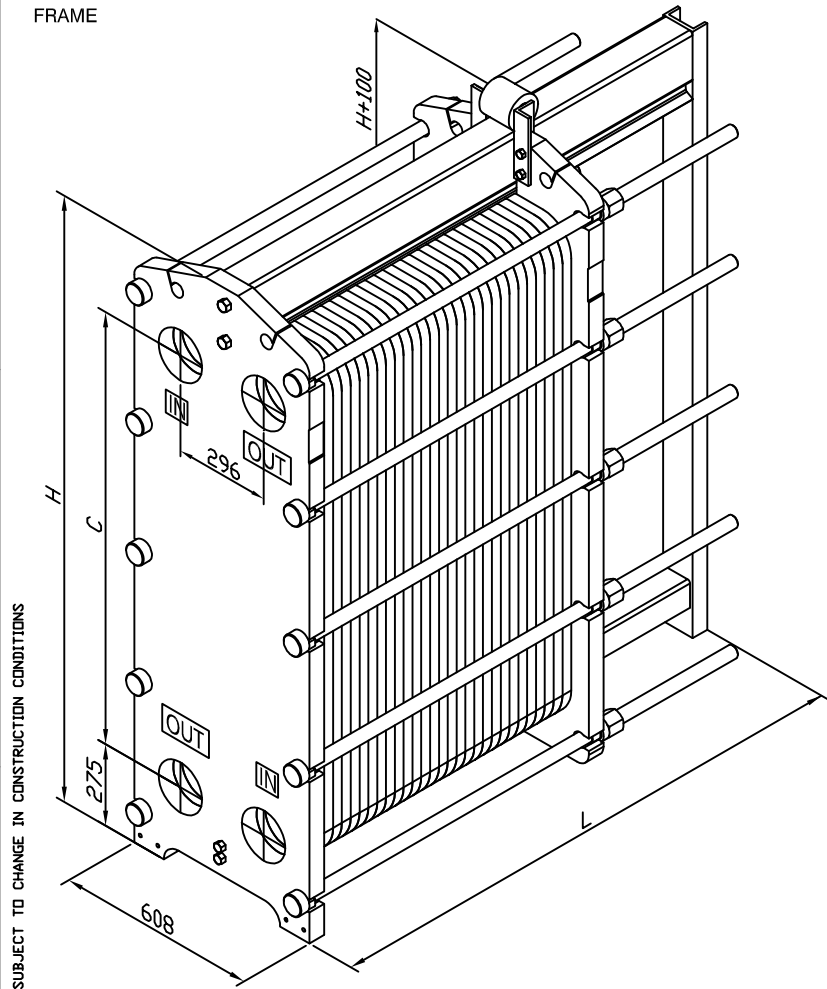


DAIRY UNION  
M ACCORDING TO STANDARD



DAIRY PIPE

FRAME



SUBJECT TO CHANGE IN CONSTRUCTION CONDITIONS

FRAME SIZE	DIMENSION H	DIMENSION C
ORW 61-ORW 62	1450	890
ORW 63	1852	1292
ORW 64	2254	1694
ORW 65	2654	2094



PLATE HEAT EXCHANGER GROUP:

ORW 61 / ORW 62 / ORW 63 / ORW 64 / ORW 65

DWG. FILE NO.:  
ORW61-ORW62-ORW63-ORW64-ORW65-IS-PN6-10-16-25

DRAWN:  
UFK

DATE:  
23.10.08

REV. NR.:  
1