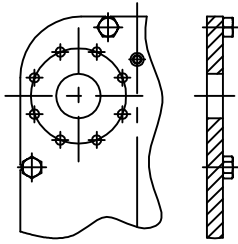
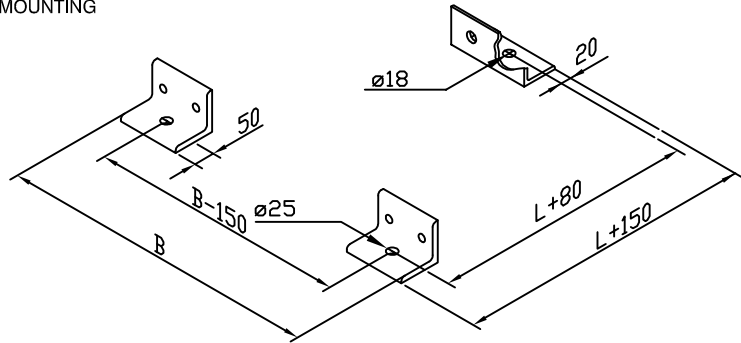


CONNECTIONS:

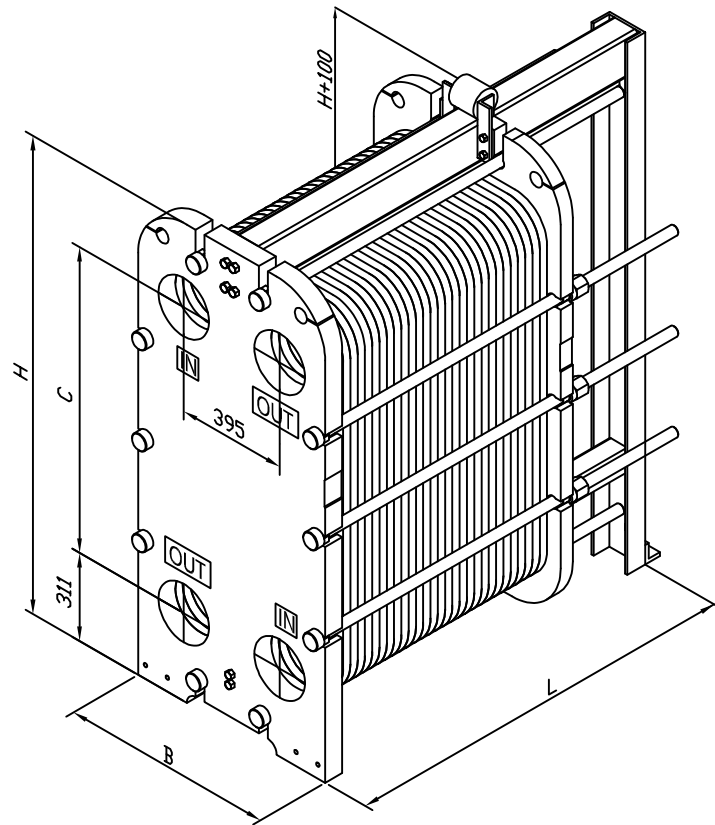


FLANGE

MOUNTING



FRAME



SUBJECT TO CHANGE IN CONSTRUCTION CONDITIONS

B = 770 FOR DN200
B = 815 FOR DN250

FRAME SIZE	DIMENSION H	DIMENSION C	DIMENSION B
ORW 81	1400	791	770/815
ORW 82	1700	1091	770/815
ORW 83	2098	1489	770/815
ORW 130	2500	1891	770/815

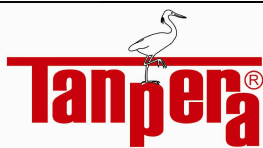


PLATE HEAT EXCHANGER GROUP:

ORW 81 / ORW 82 / ORW 83 / ORW130

DWG. FILE NO.:
ORW81-ORW82-ORW83-ORW130

DRAWN:
UFK

DATE:
23.10.08

REV. NR.:
1